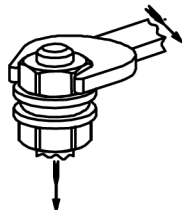
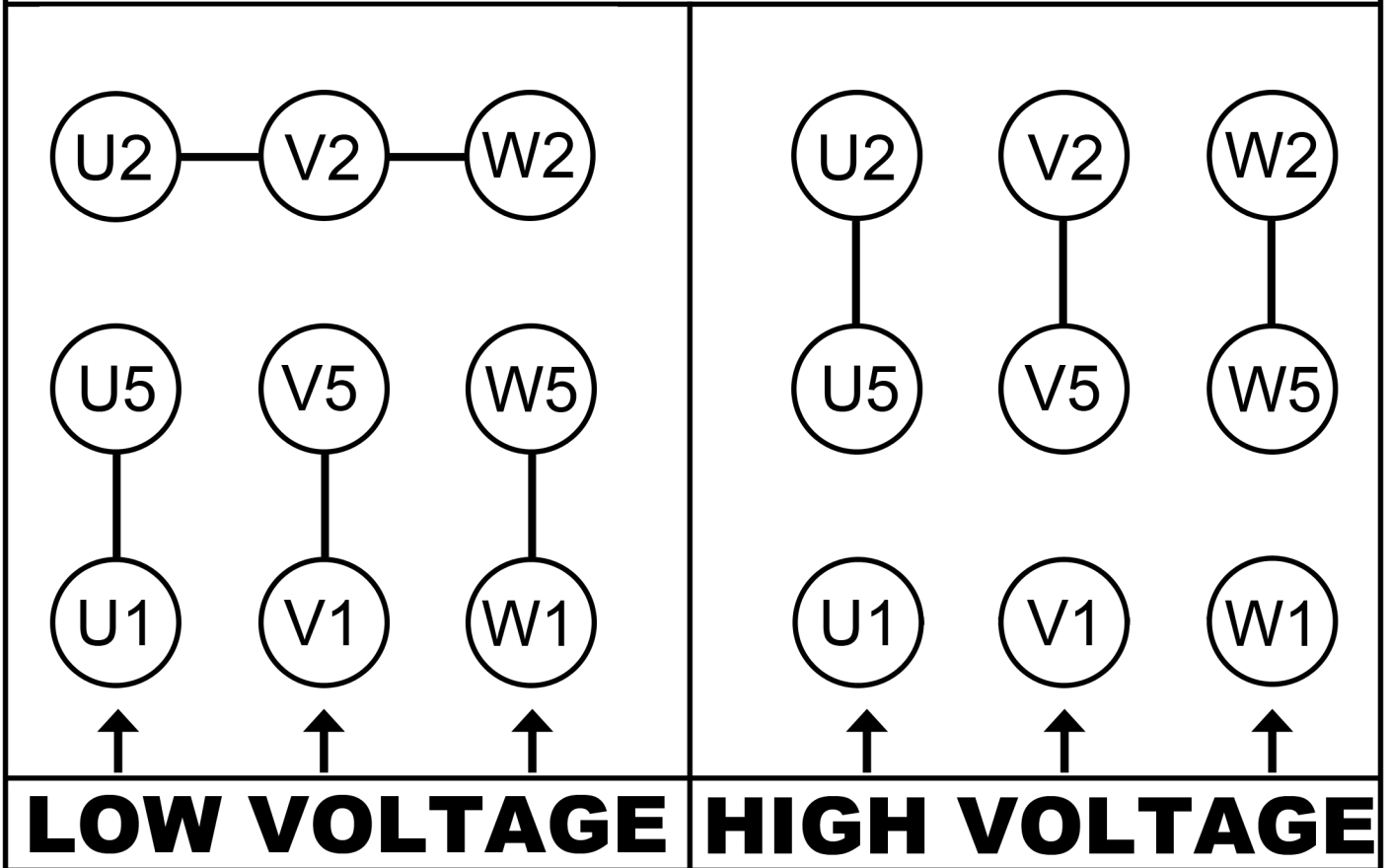


9 LEAD CONNECTION - IEC

CONNECTION DIAGRAM ACROSS-THE-LINE-STARTING



Nut	Torque
M4	1.1 Nm
M5	2.2 Nm